



US00D401519S

United States Patent [19]

Frankovitch, Jr. et al.

[11] Patent Number: **Des. 401,519**

[45] Date of Patent: ****Nov. 24, 1998**

[54] **DIGITAL TESTING INSTRUMENT**

5,210,703 5/1993 Hodgson 371/25.1 X

[75] Inventors: **Ed Frankovitch, Jr.**, Coatesville, Pa.;
Robert J. Wieners, Wrentham, Mass.

Primary Examiner—Antoine Duval Davis
Attorney, Agent, or Firm—Chernoff, Vilhauer, McClung & Stenzel, LLP

[73] Assignee: **Universal Enterprises, Inc.**, Beaverton, Oreg.

[57] CLAIM

[**] Term: **14 Years**

The ornamental design for a digital testing instrument, as shown and described.

[21] Appl. No.: **60,049**

DESCRIPTION

[22] Filed: **Sep. 19, 1996**

[51] **LOC (6) Cl.** **10-04**

[52] **U.S. Cl.** **D10/78; D10/81**

[58] **Field of Search** D10/46, 78, 81;
379/28; 324/73.1, 158.1; 364/484, 481,
580; 371/21.2, 25.1

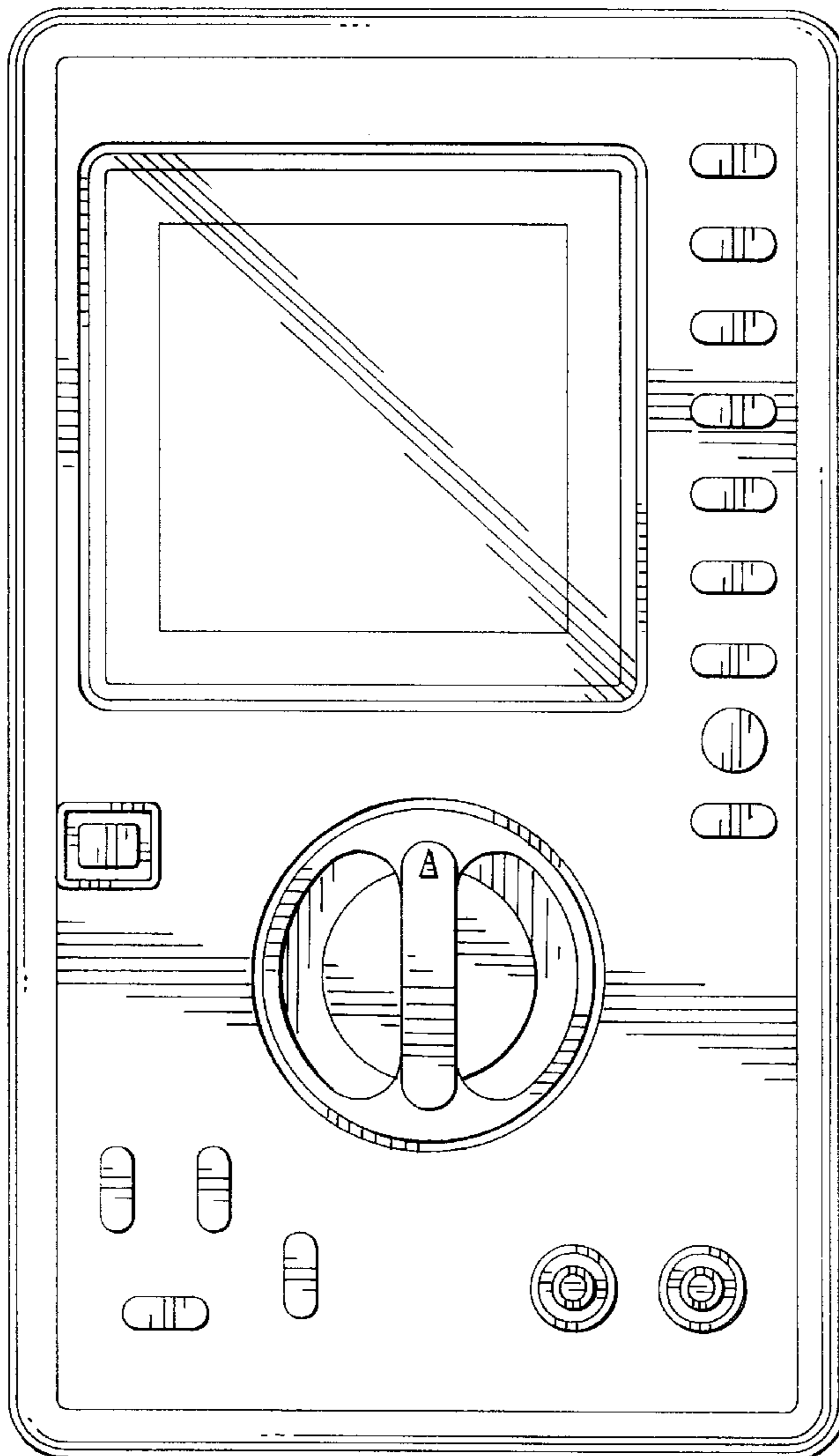
FIG. 1 is a top front elevational view;
FIG. 2 is a left side elevational view;
FIG. 3 is a right side elevational view;
FIG. 4 is a bottom back elevational view;
FIG. 5 is a top plan view; and,
FIG. 6 is a bottom plan view.

[56] References Cited

U.S. PATENT DOCUMENTS

D. 358,348 5/1995 Burgess D10/78

1 Claim, 3 Drawing Sheets



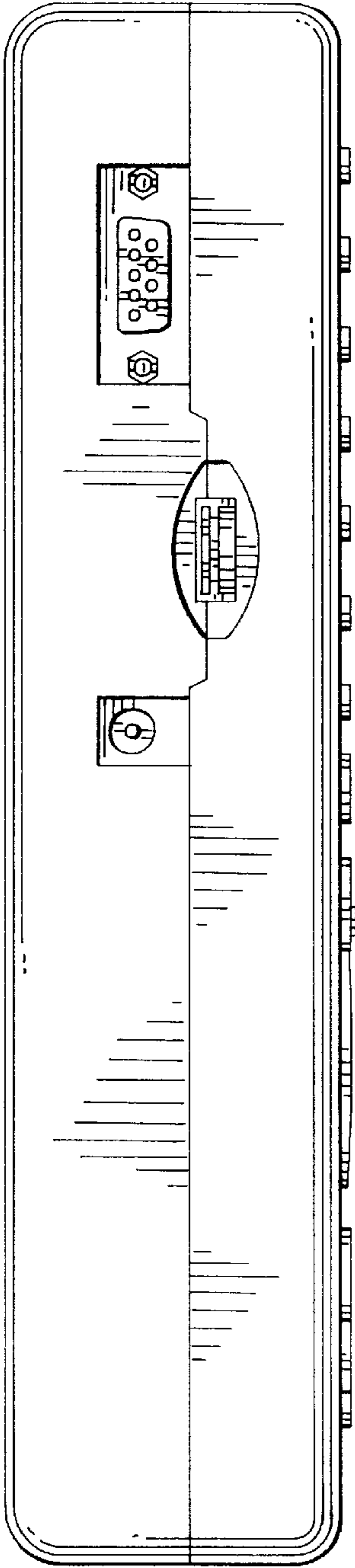


FIG. 2

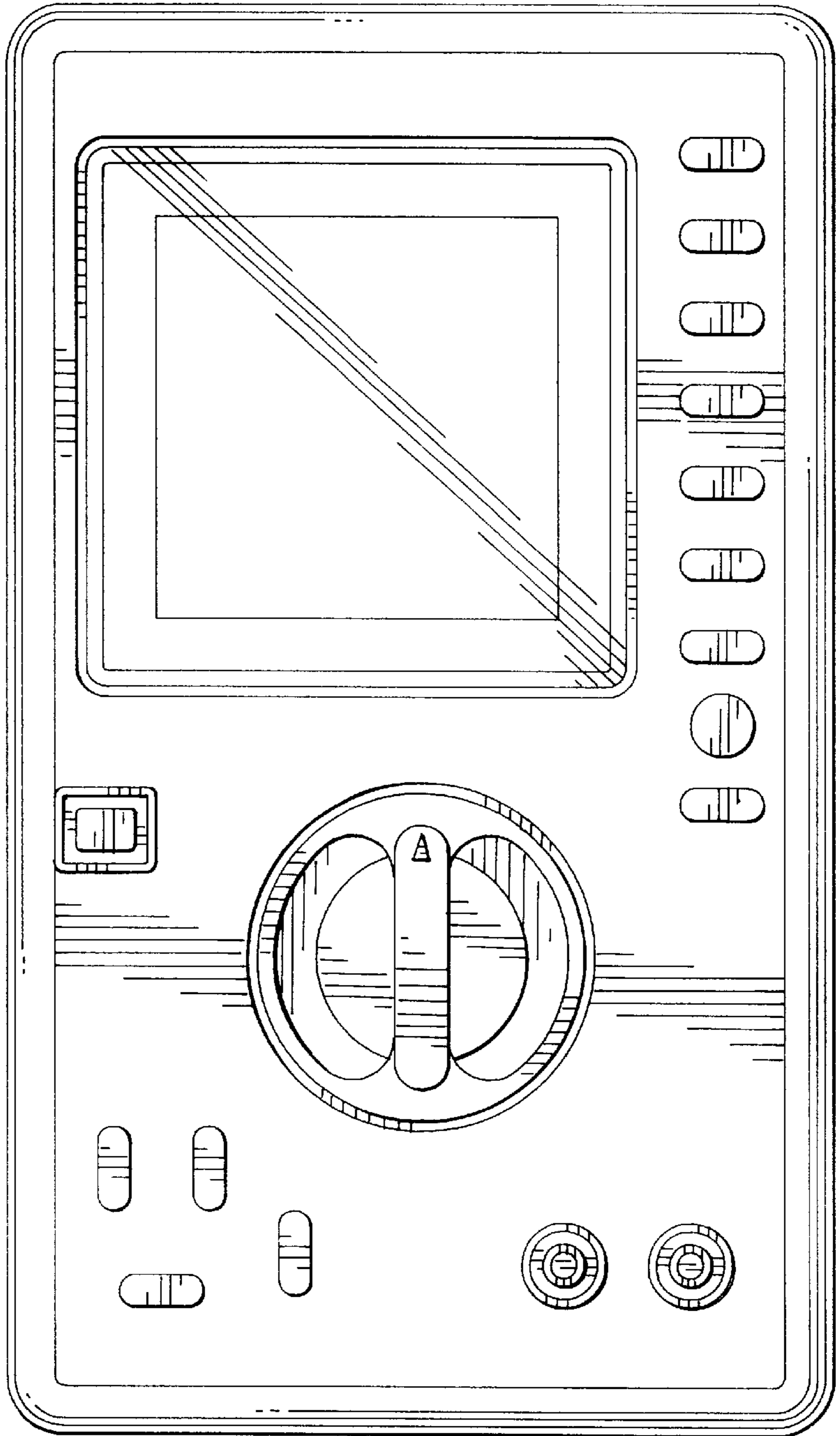


FIG. 1

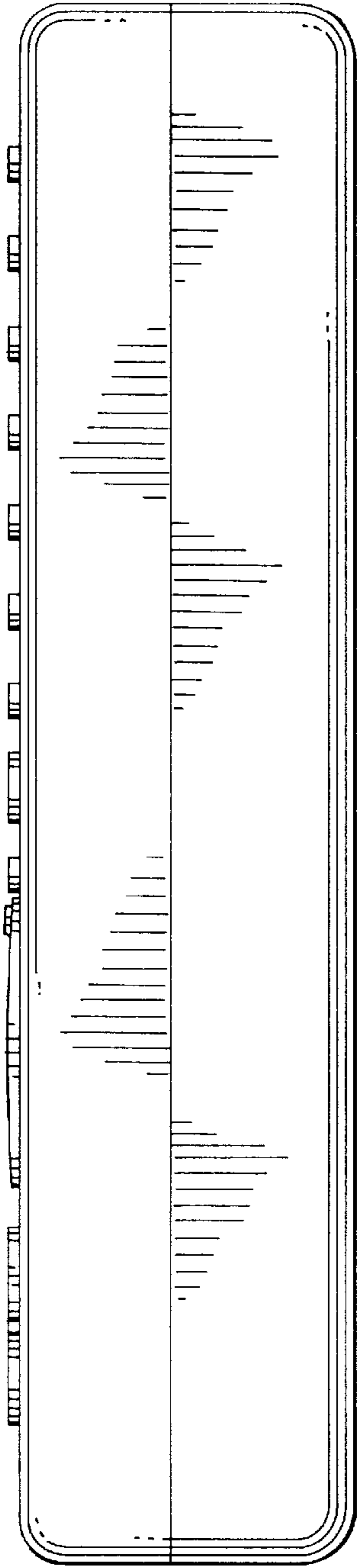


FIG.3

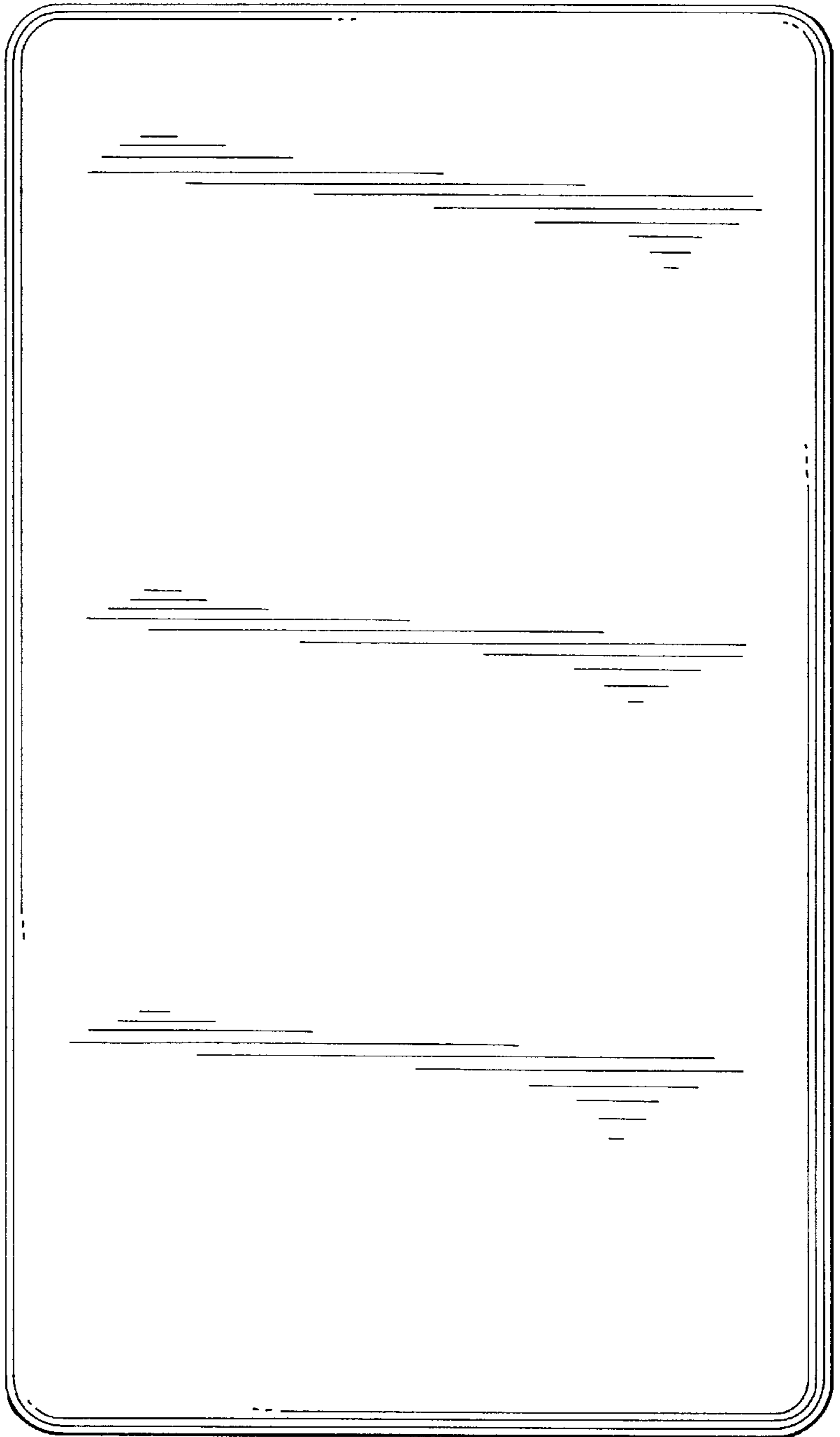


FIG.4

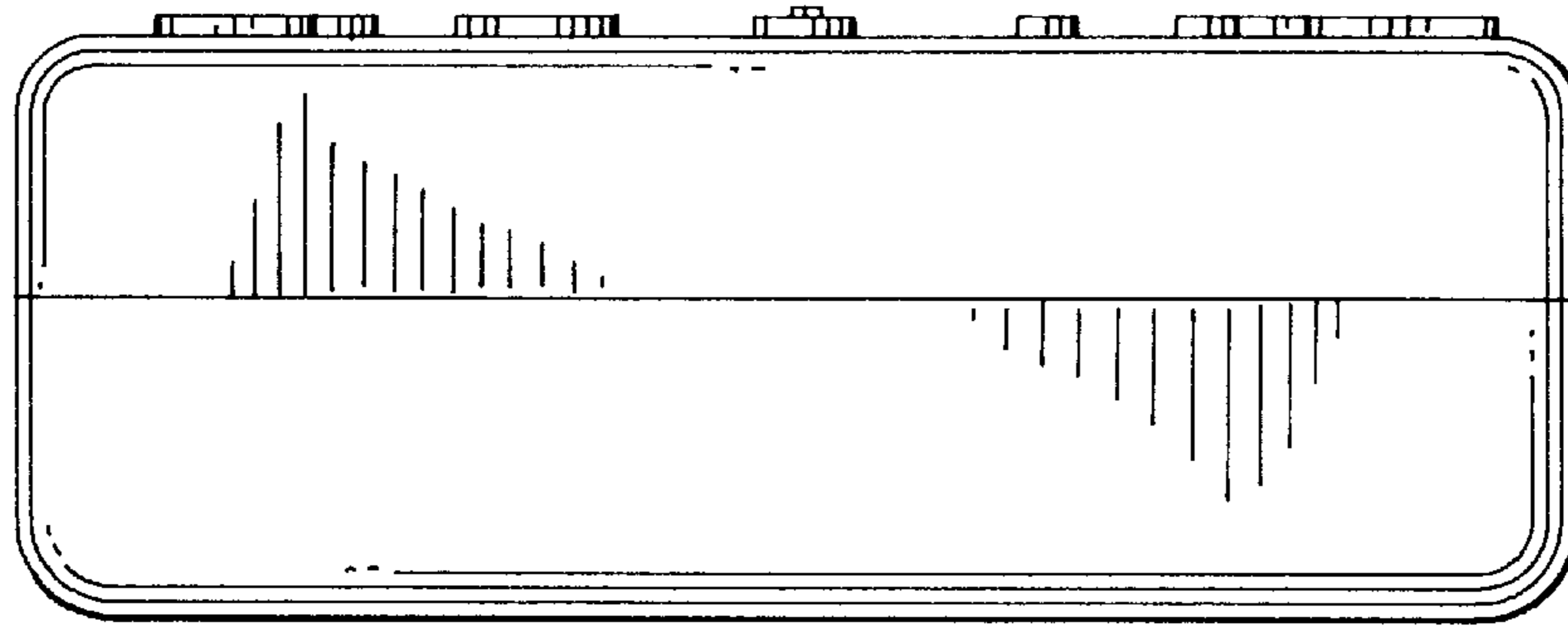


FIG. 5

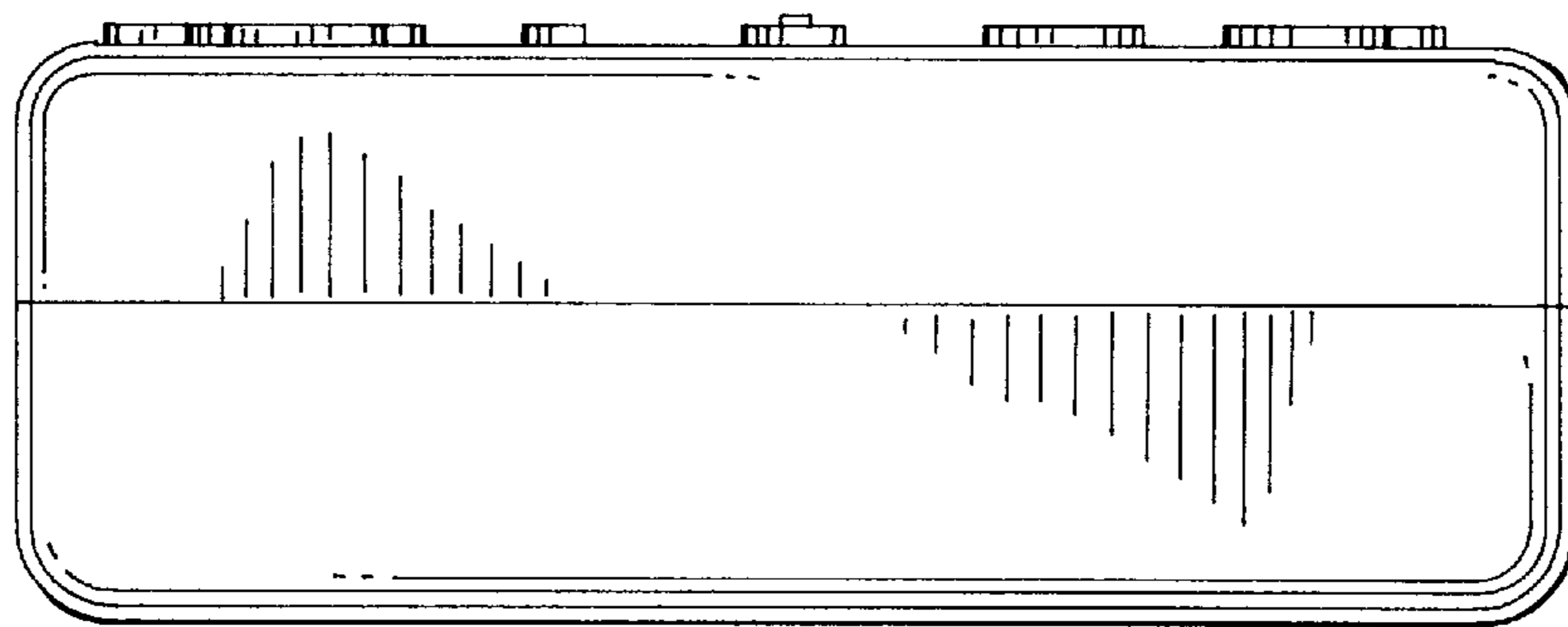


FIG. 6